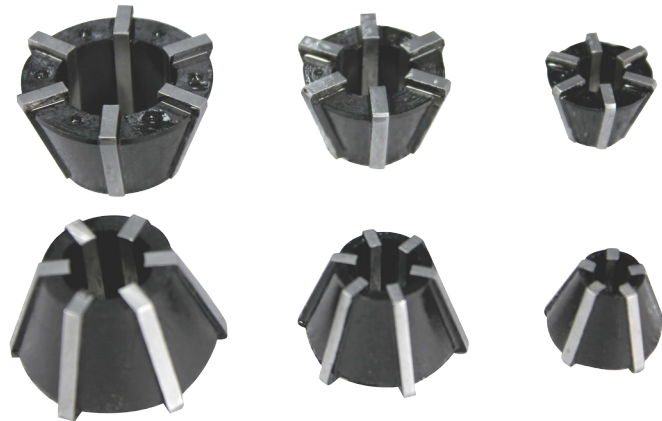
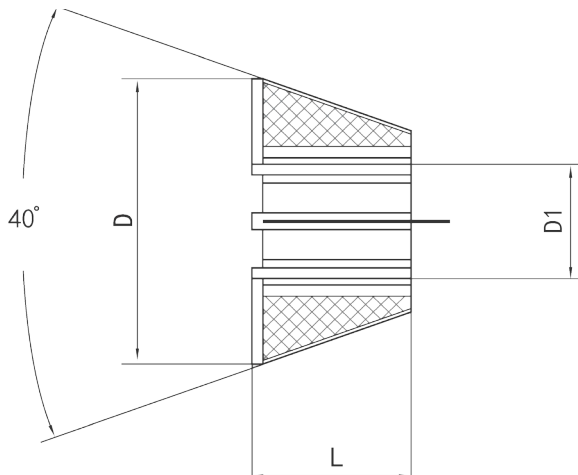




Rubber Collets Comparison Table

Doc V: 1.0



Part no	Compatibility	D	L	D1 Clamping dia.	
				(mm)	
MT-TH-2-7-RC4.5	MT-TH-2-7 (JSN7)	15.7	11	4.5	2.5--4.5
MT-TH-2-7-RC6.5				6.5	4.5--6.5
MT-TH-5-12-RC7	MT-TH-5-12 (JSN12)	21.8	13	7	4--7
MT-TH-5-12-RC10				10	7--10
MT-TH-8-20-RC9	MT-TH-8-20 (JSN20)	26.9	15	9	5.4--9
MT-TH-8-20-RC14				14	9--14
MT-TH-8-20-RC16			11	14--16	

